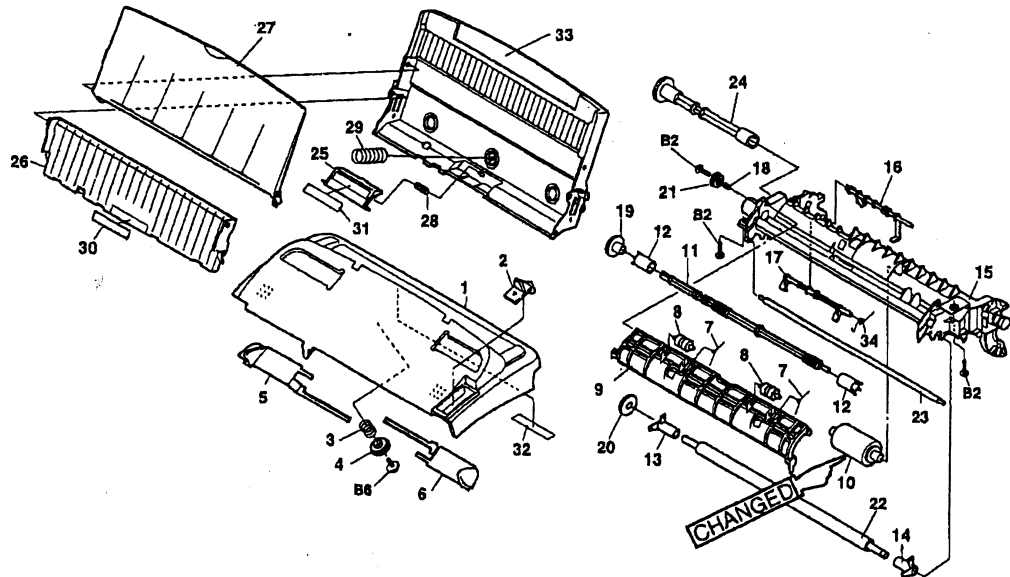


TECHNICAL BULLETIN

PU ROLLER ASSEMBLY CHANGE

1. Model Name: UX300 Series All versions. (UX310, UX370, UX470, FO730)

2. General: On some occasions, the machine may not feed the recording paper well because of paper chips or dust on the PU roller. As a countermeasure, we adopted a new roller with a different surface texture.



3. Refer to: Service Manual.

4. Parts:

Model name	Version	P/G No.	Current Parts		New Parts		Parts name	Effective time	Interchangeability
			Parts code	Parts code	Price rank				
UX300 Series	All	-	CROLR2407XH01	CROLR2434XH01	AH	PU roller assembly	Aug '99	A	
<Interchange>									
A. Interchangeable.					D. Not interchangeable.				
B. Current type can be used in place of new type. New type cannot be used in place of current type.					E. Interchangeable if replaced with same types of related parts in used.				
C. Current type cannot be used in place of new type. New type can be used in place of current type.					F. Others.				
Parts marked with " ⚠ " is important for maintaining the safety of the set. Be sure to replace these parts with specified ones for maintaining the safety and performance of the set.									